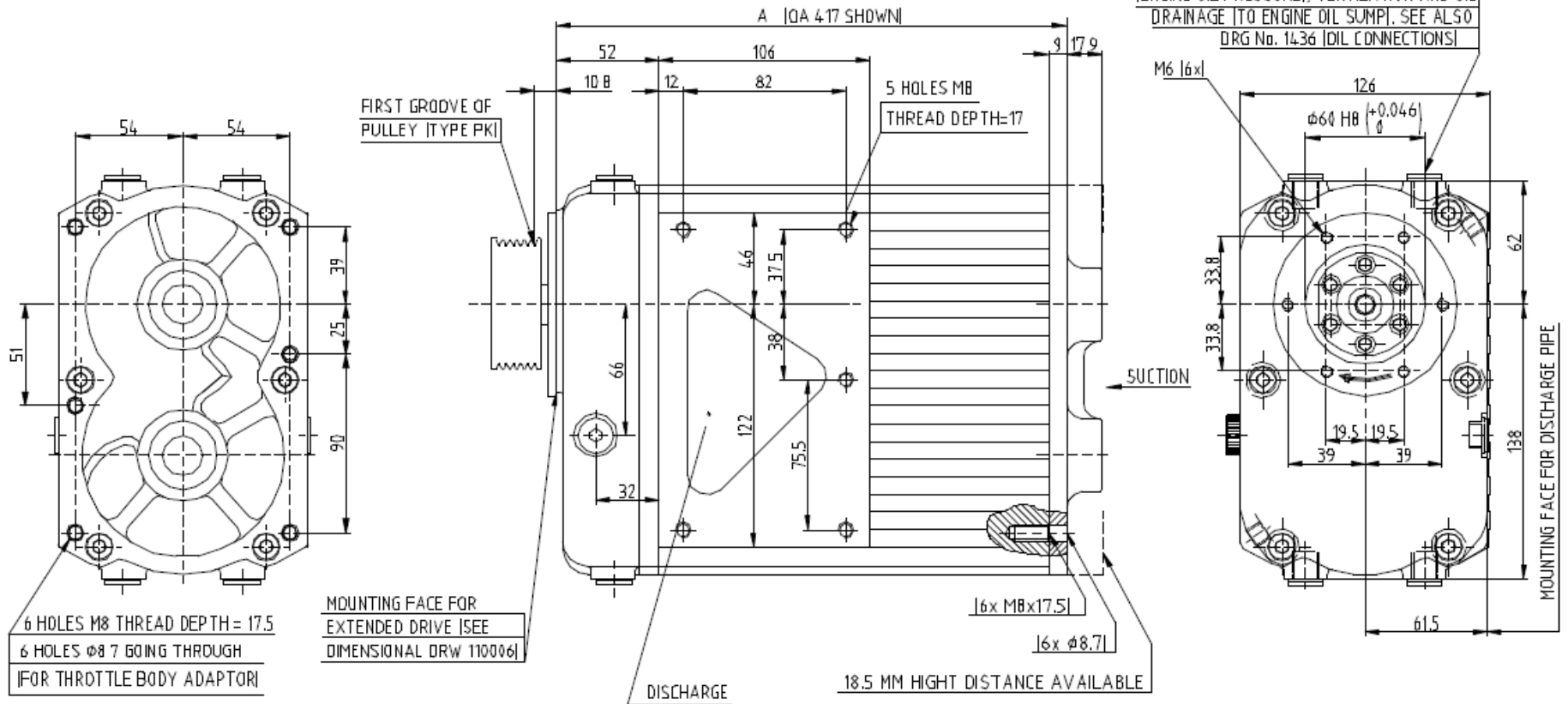




SIZE RANGE MX: OTHER BUILT IN PRESSURE RATIOS AND DISPLACEMENTS ARE AVAILABLE ON REQUEST

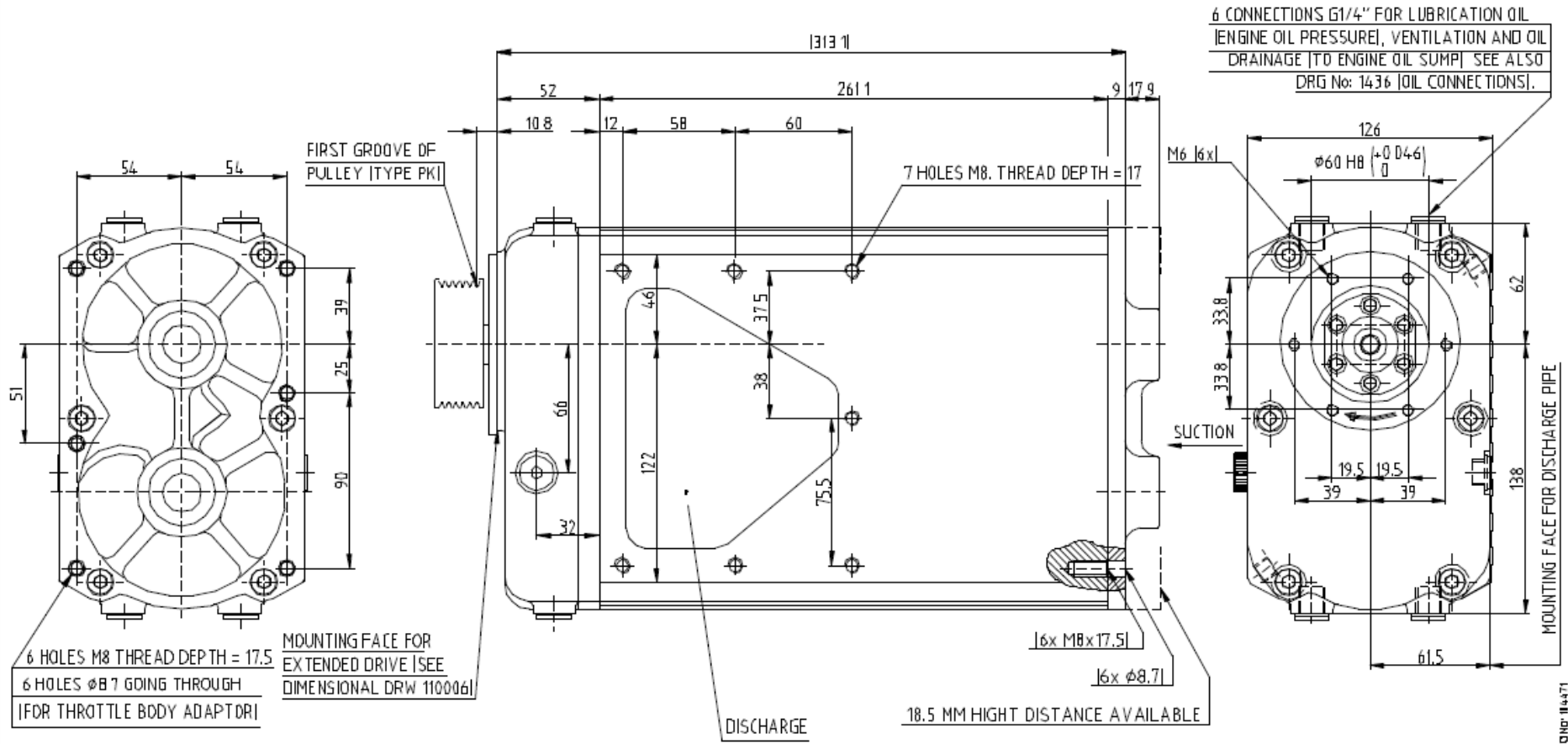
STANDARD MODELS OF MX FEB 23 2005	PRODUCT ID NUMBER		SUPER-CHARGER TYPE	BUILT IN PRESSURE RATIO	DISPL. LITRES/REV	DIMENSION A	WEIGHT KGS	MAX SPEED RPM (CONT.)	MAX CAP. M <sup>3</sup> /MIN
	BLACK	POLISHED							
	10440101	10441001	DA 417 MX	1.4	17	257	12.3	13000	21
	10430101	10431001	DA 420 MX	1.4	20	285	13.3	13000	24
	104470	104480	DA 422 MX	1.4	2.2	304	13.3	13000	27





**MX**  
FEB 22 2005

PRODUCT ID NUMBER		SUPER-CHARGER TYPE	DISPL. LITRES/REV	WEIGHT KGS	MAX SPEED RPM (CONT.)	MAX CAP. M <sup>3</sup> /MIN
BLACK	POLISHED					
10445101	10446002	0A 424 MX	2.4	14.7	13000	29



DWG No: 144371